

Steam Punk Photo Frame

Sponsored by Pyrography Online at www.PyrographyOnline.com



Lora Susan Irish can be found on the Pyrography Online Message Board with the username of Irish. Susan and her husband Michael are the creators of Classic Carving Patterns, www.CarvingPatterns.com, an online line-art pattern warehouse.



steam punk photo frame in complete burning stage



Pyrography Online Message Board
Copyright, L. S. Irish, 2010
PyrographyOnline.com

steam Punk photo frame in watercolor pencil work stage

Wood Burning Supply List

- Variable temperature wood burning system
- Standard writing tip pen
- Flat spoon shade tip pen
- Wide shaper tip pen
- Graphite paper for pattern tracing
- Compass, Metal ruler, right angle triangle for tracing
- 12" x 12" 3/16 to 1/8" chipboard
(the back of an art paper pad or a sheet of chipboard package packing)
- Leather strop or emery cloth for tool tip cleaning



Pyrography Online Message Board
Copyright, L. S. Irish, 2010
PyrographyOnline.com

steam punk photo frame in completed framing construction stage

Coloring and photo supplies

Three to four computer reproduced photos

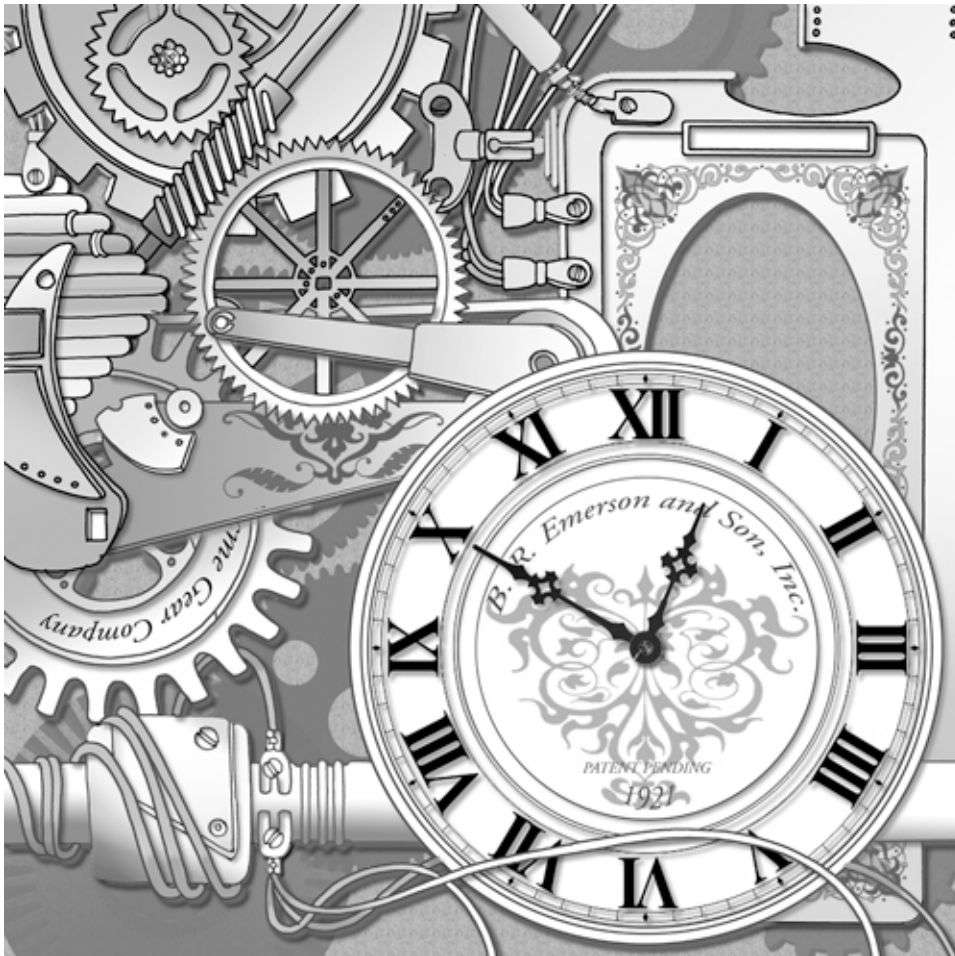
Transparent tape

Craft utility knife or bench knife

Assortment of 12 artist quality watercolor pencils

Spray sealer – Reworkable Fixatif

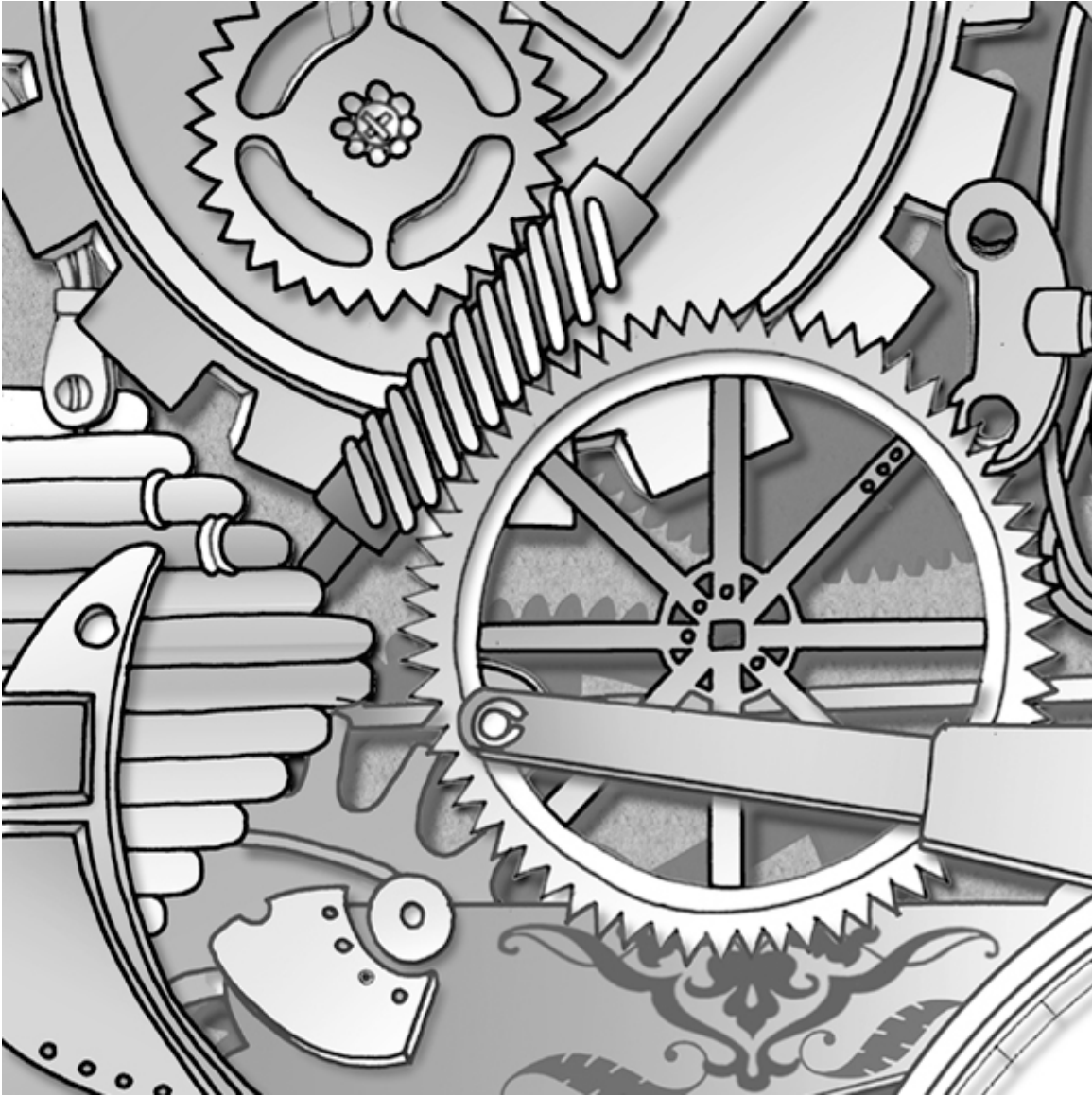
12" x 12" shadow box frame



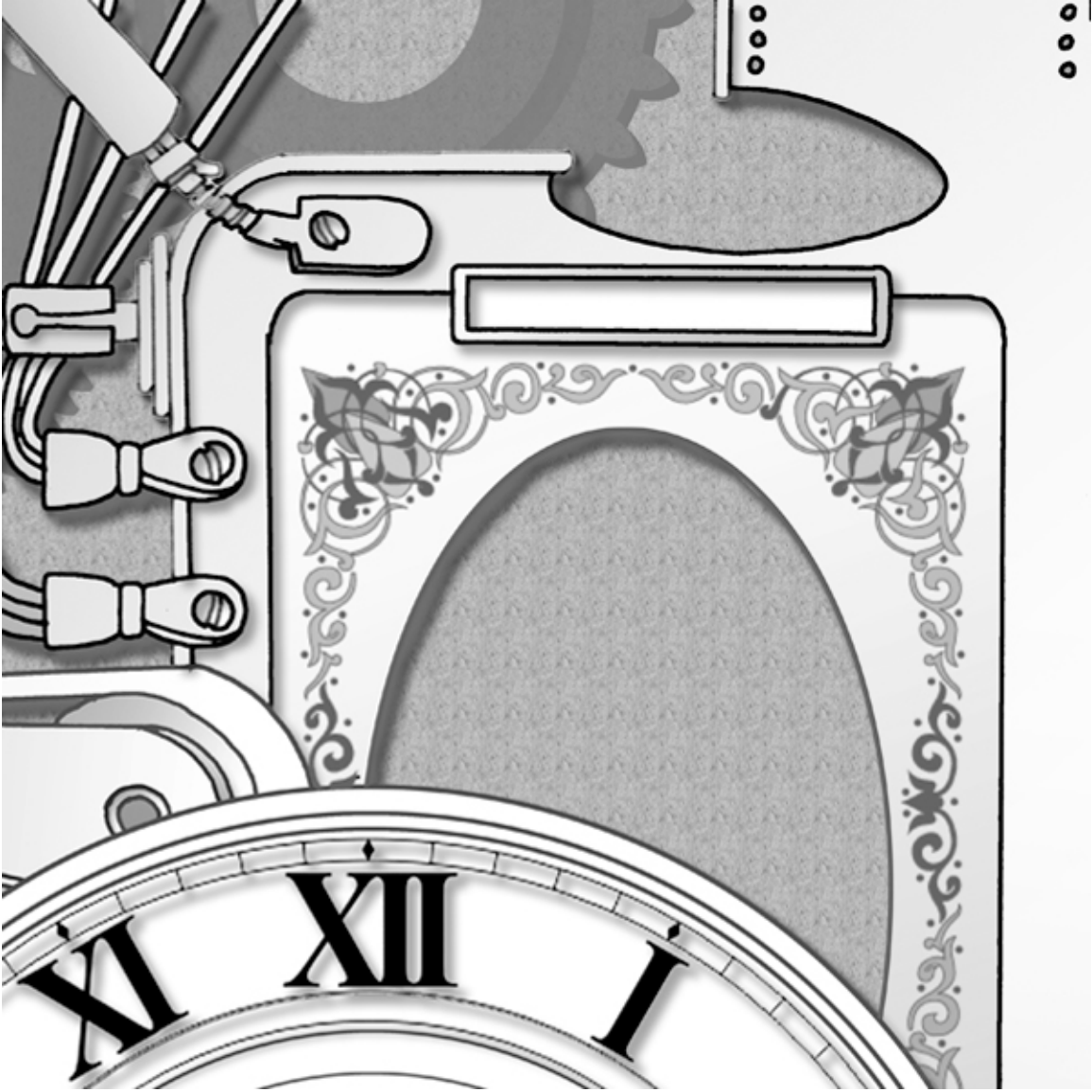
complete gray-scale pattern

The complete gray-scale pattern provides a guide for your tonal depth burning.

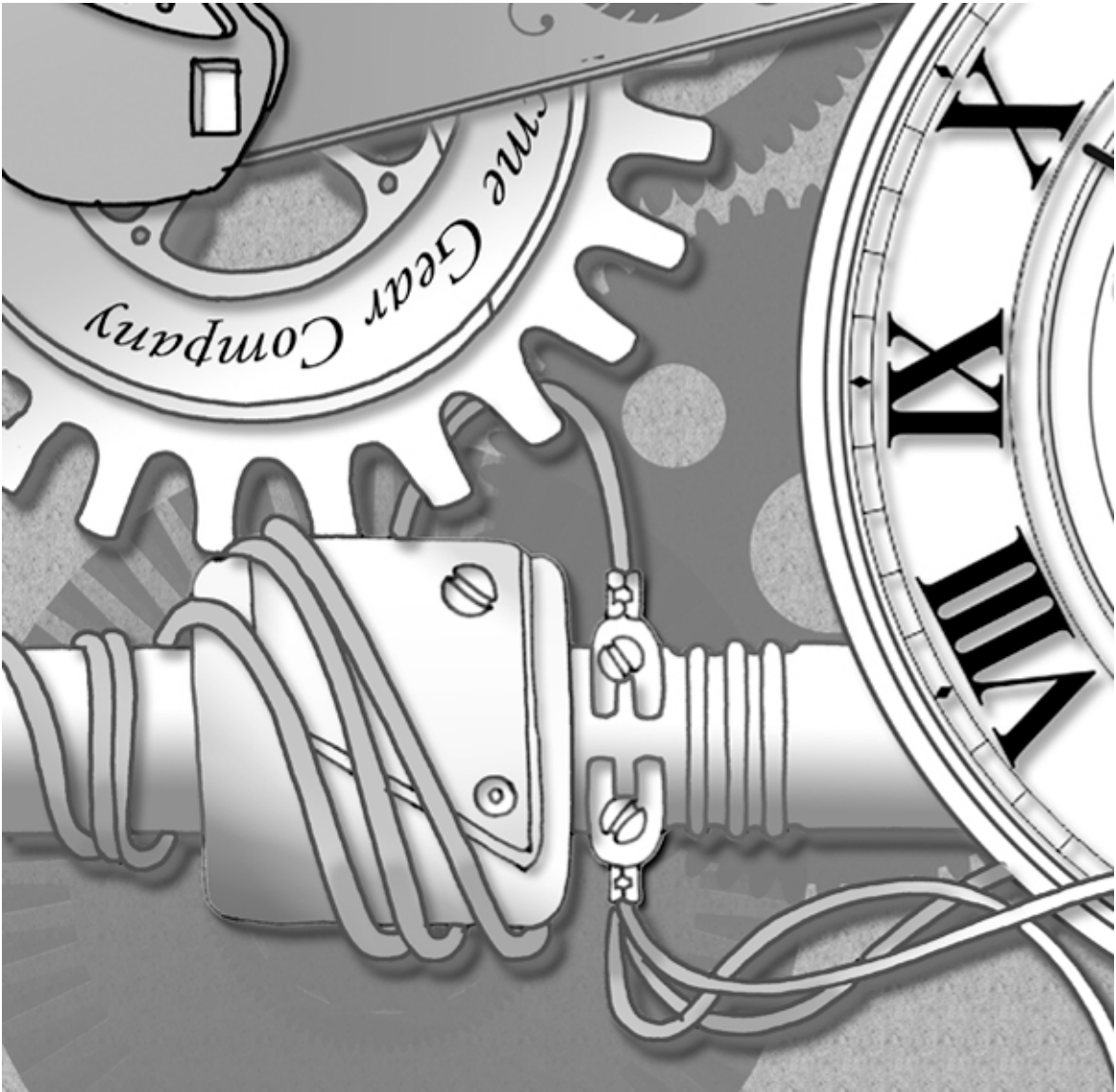
This pattern has been sliced into four 6" square patterns for easy printing and tracing on the following four pages.



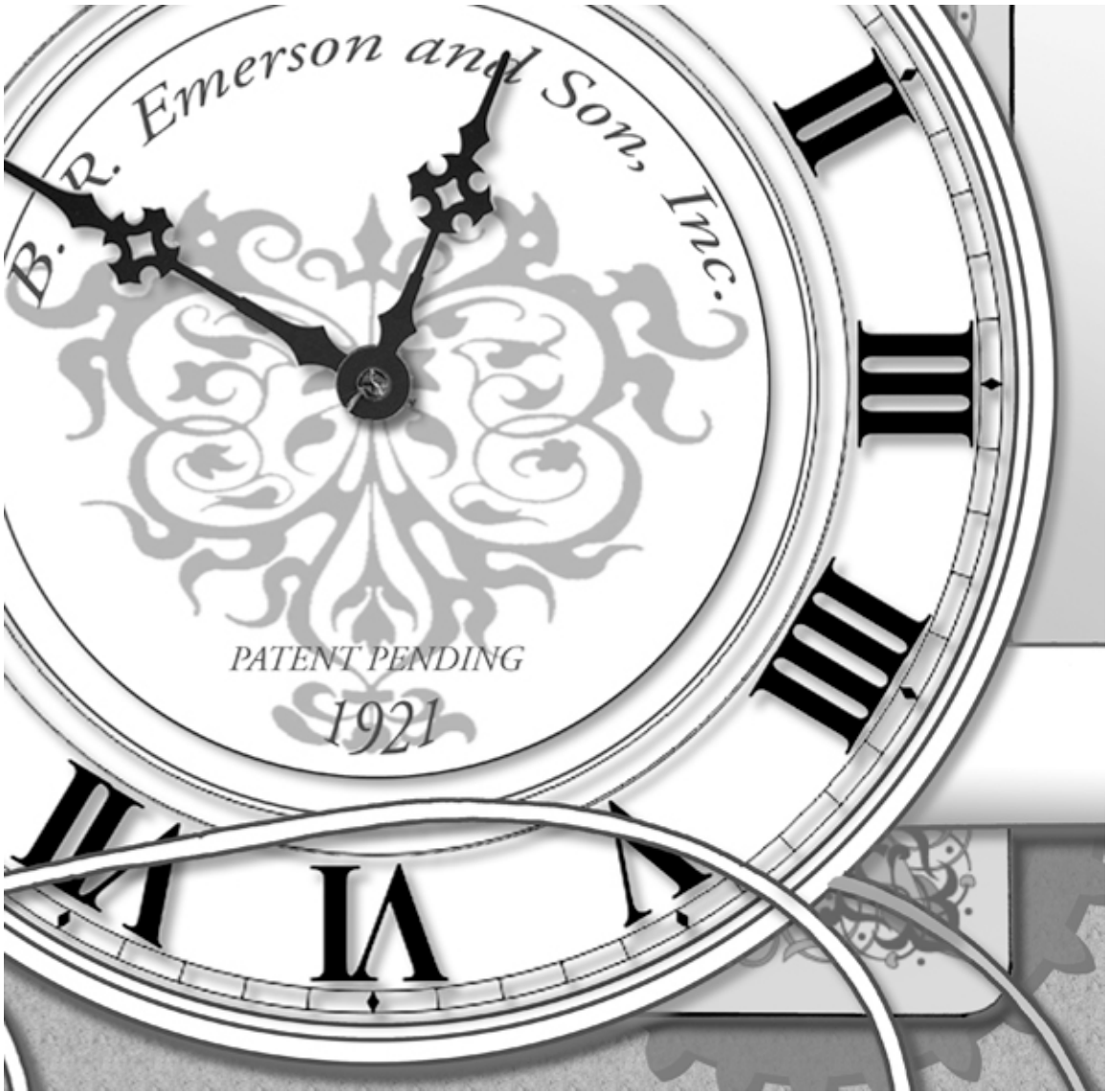
upper left gray-scale pattern



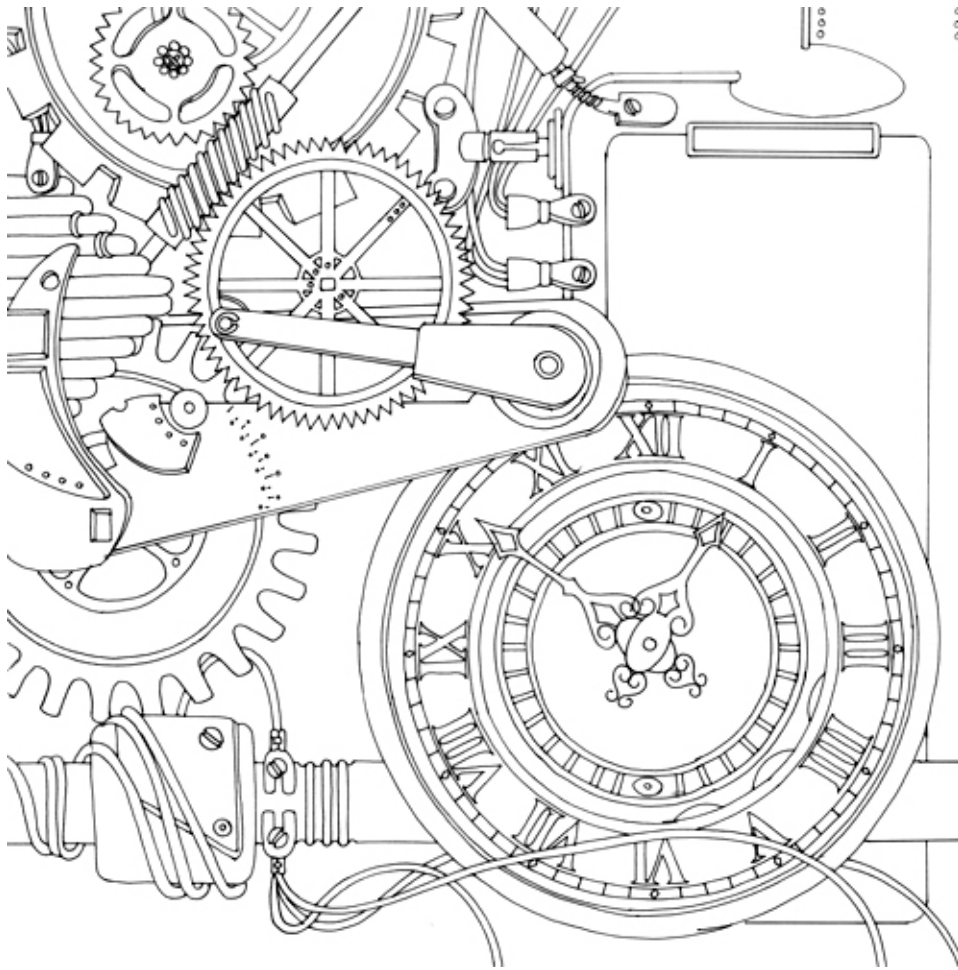
upper right gray-scale pattern



lower left gray-scale pattern



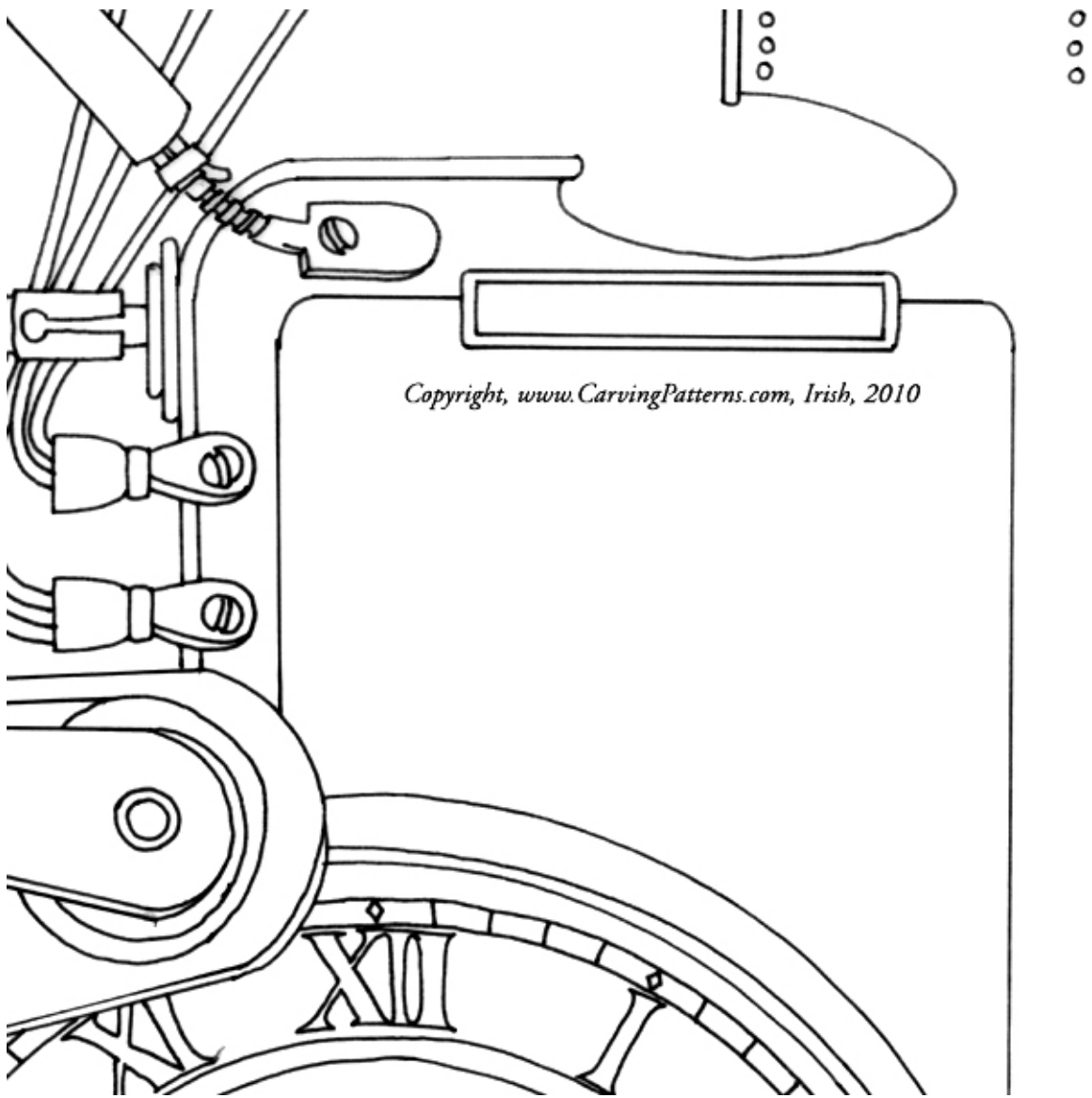
lower right gray-scale pattern



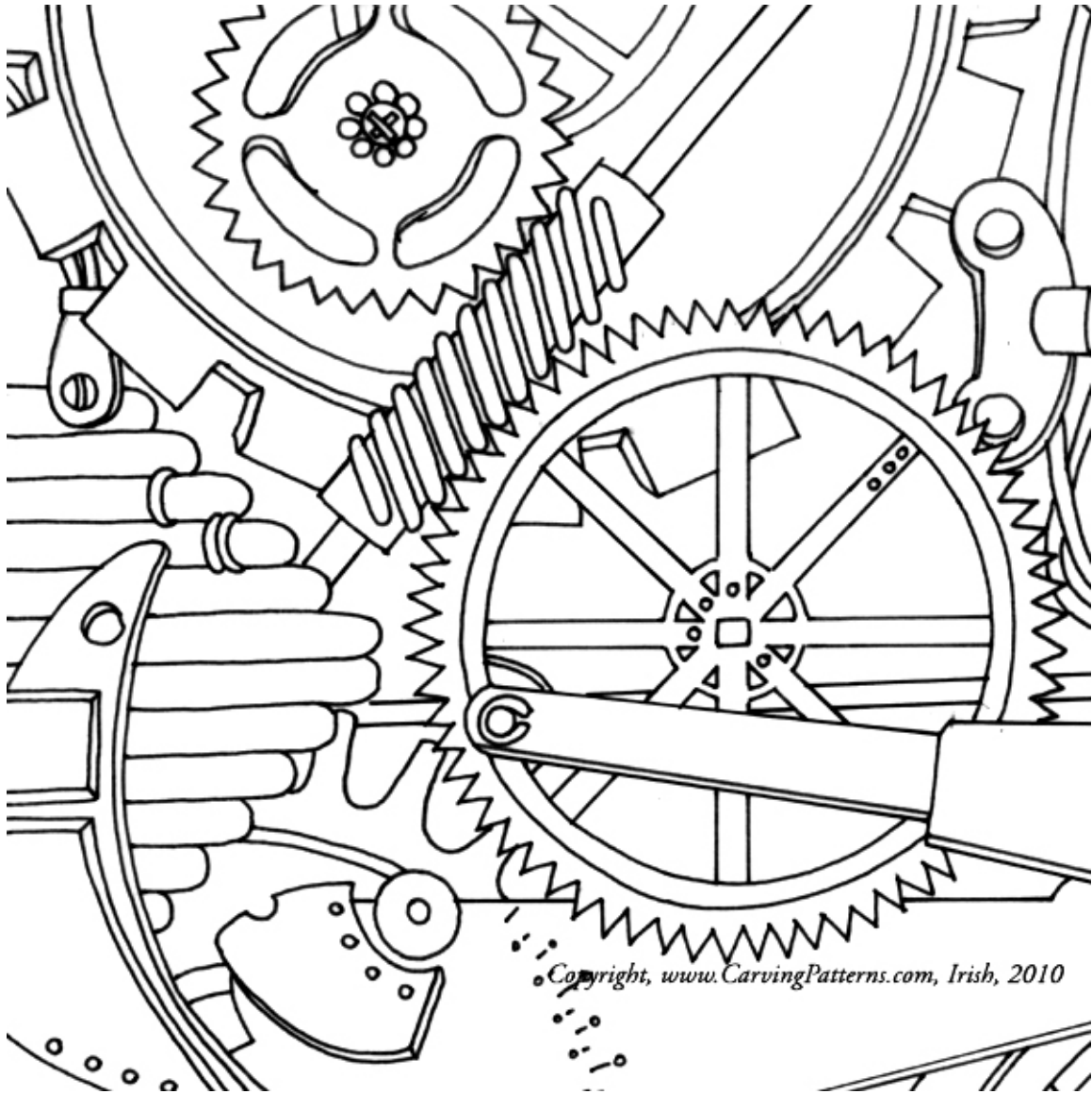
complete line-art pattern

The line-art patterns shows the basic tracing lines that will be needed to begin your burning.

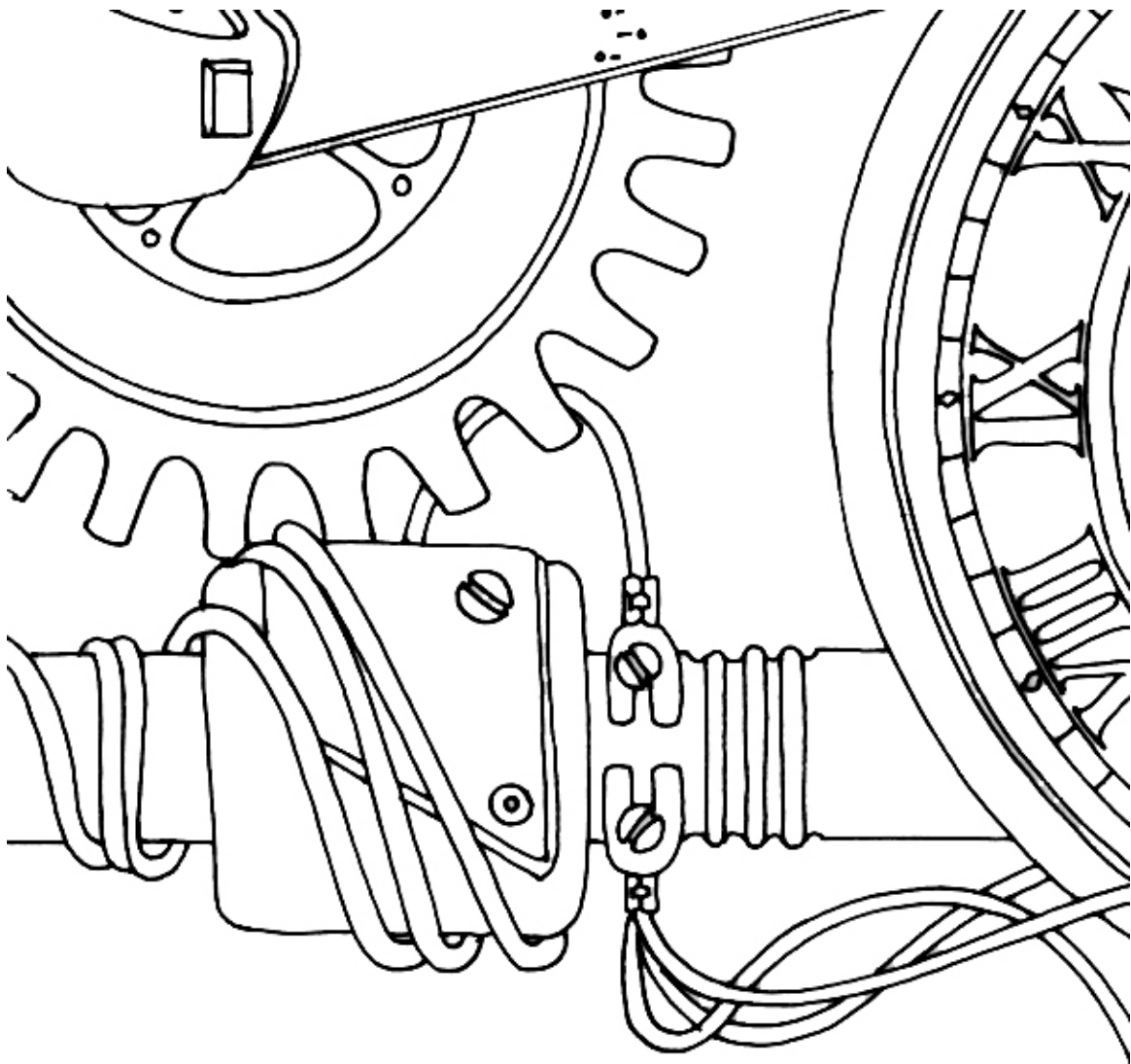
This pattern is shown in four 6" square patterns on the following pages, ready for easy printing and tracing to your chipboard.



upper right line-art pattern

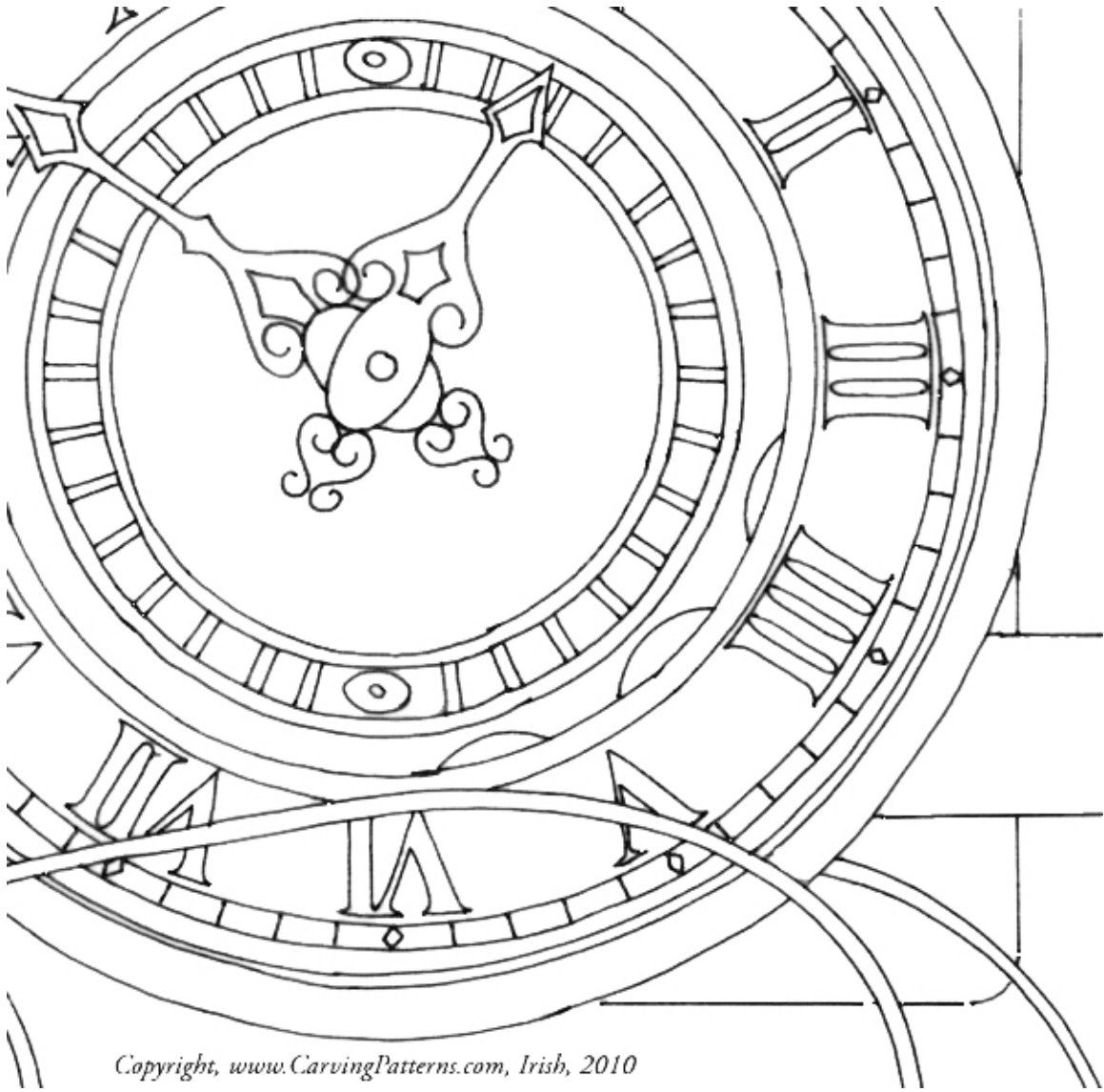


upper left line-art pattern



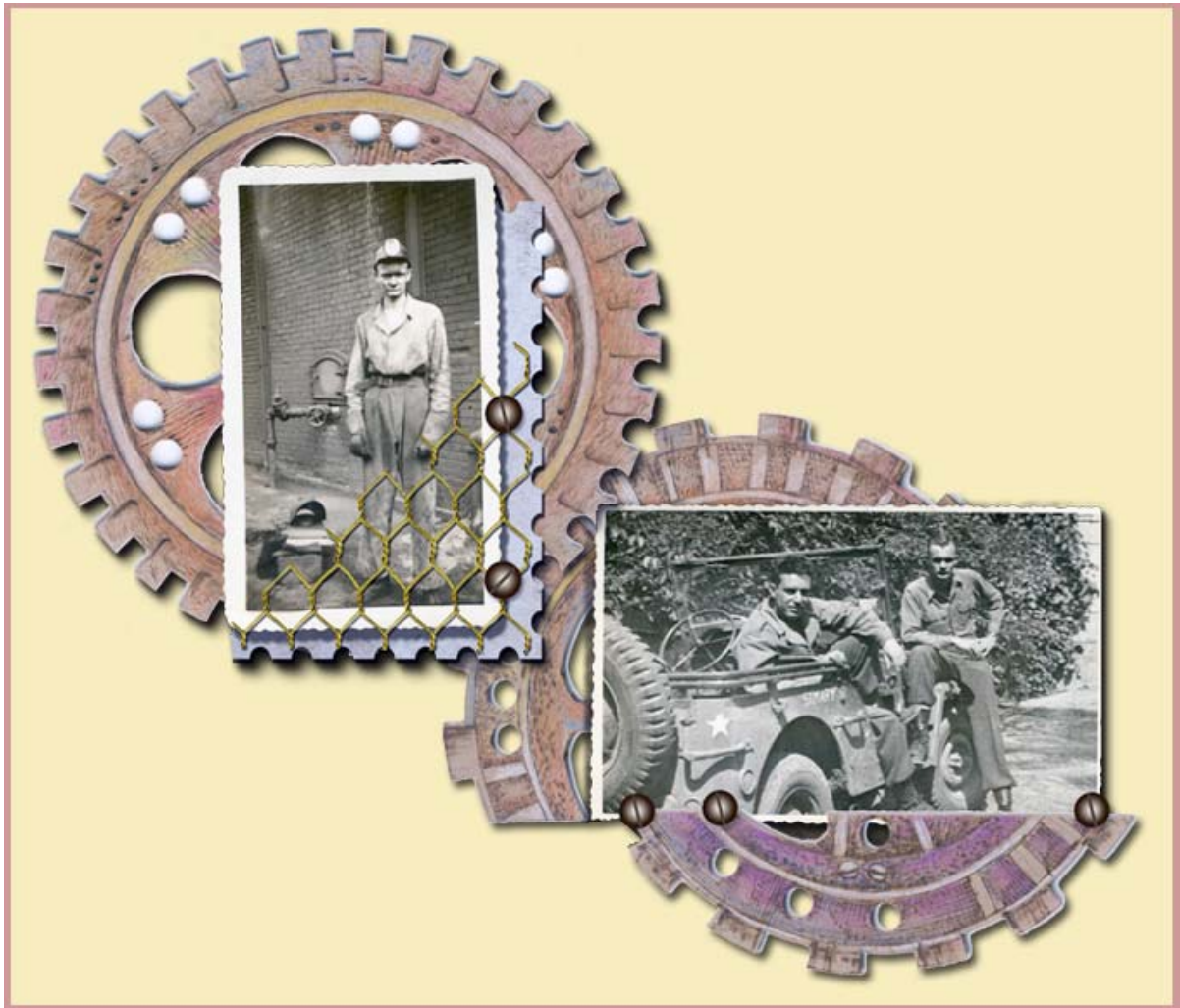
Copyright, www.CarvingPatterns.com, Irish, 2010

lower left line-art pattern



Copyright, www.CarvingPatterns.com, Irish, 2010

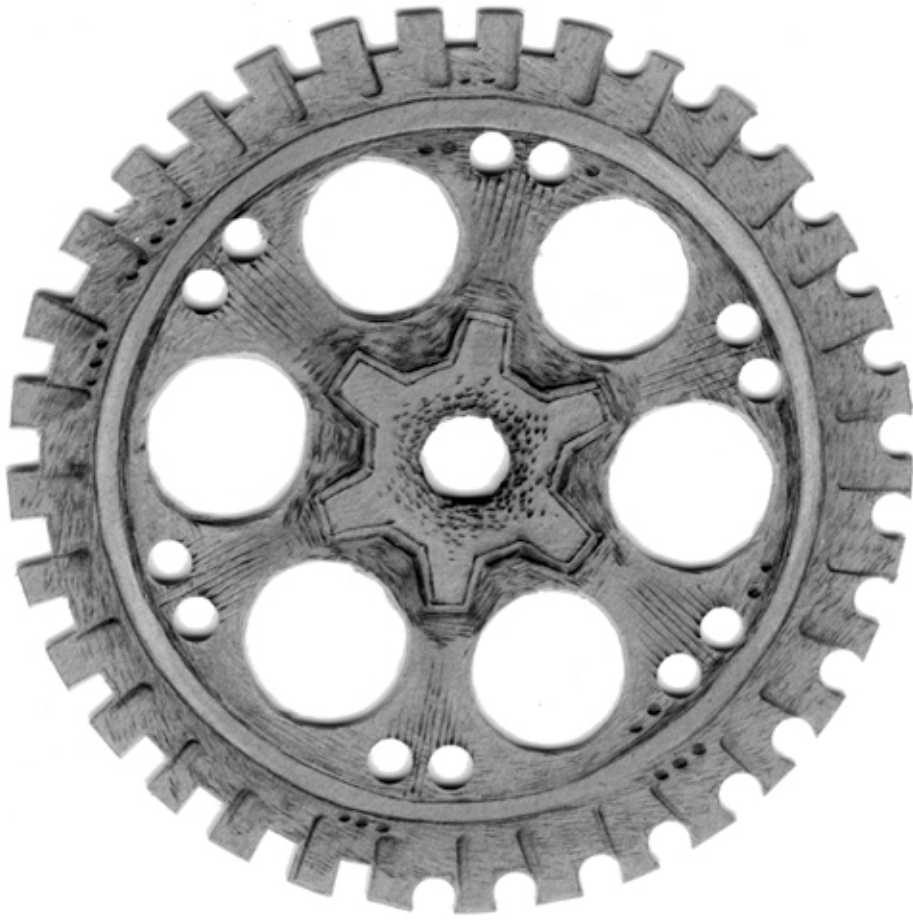
lower right line-art pattern



wall sculpture steam punk photo frames

Once the wood burning and watercoloring was completed for the large 12" x 12" project a series of small, individual gears were created. These are placed in front of the large project to create the three dimensional effect within the photo shadow box frame.

These small gears can also be worked as individual pieces to create a sculptured wall hanging for your genealogy photographs.



large 5" gear gray-scale pattern



small 3" gear gray-scale pattern



large 5" split gear gray-scale pattern



medium 4" gear gray-scale pattern



small 2" oval frame gray-scale pattern

**For a complete tutorial on the Steampunk Picture
Frame, visit the message board at
www.PyrographyOnline.com/forum**

**Artists are free to submit their own burning
tutorials to the site. Please e-mail Bob at
Duncan@Foxchapelpublishing.com for details.**